

## INSTALLING GLASS PANELS FOR STAIRS

Mount bottom UAB brackets in position to keep bottom rail within 1" of tread nosing.

Mount top UAB brackets maintaining 28 5/8" between round backing plates as shown in diagram.

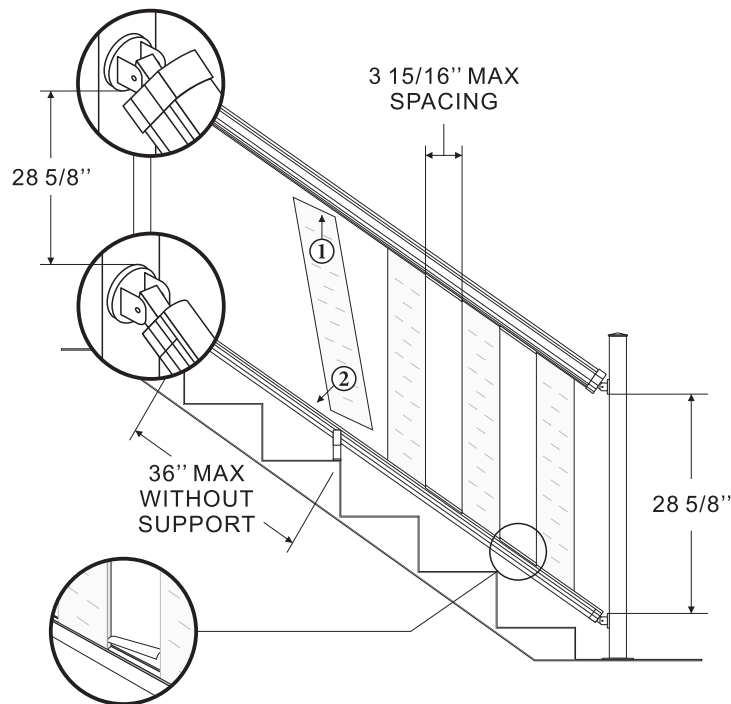
Measure and cut top & bottom rails.

Do not exceed 36" span without using a stair rail support leg.

Insert glass gasket into top & bottom rails.

Determine qty of panels required for section based on a maximum horizontal spacing of 3.936".

Retaining clips can be cut to fit if smaller spacing is desired.



Install each panel into the top & bottom rail by

(1) pushing the panel up into the top track on an angle to clear bottom rail as shown in diagram.

(2) Push panel down into bottom track and ensure the glass is sitting in a vertical position.

(3) Position to achieve desired spacing and secure by snapping on retainer clips as shown.